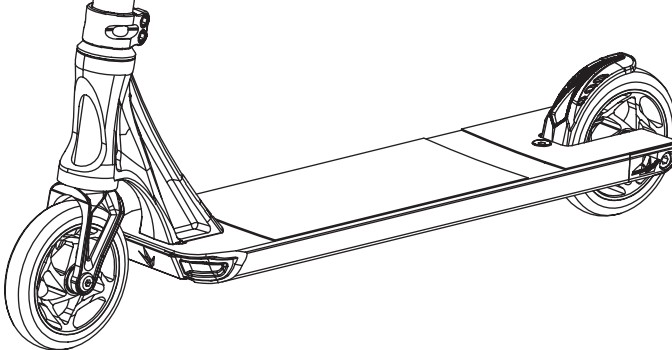


PRODIGY/S9
STREET EDITION



Owner's Manual

This product has been EN 14619 (Class A) tested

It is manufactured by Blunt / Envy scooters: <https://www.bluntandenvy.com/>

Before using this product, please read and understand the entire manual.

Please register your product with us to gain exclusive updates

and content. Fill in your details at the website below

WWW.BLUNTANDENVY.COM/REGISTER

CONTENTS

General Safety.....	2
Safety Instructions.....	3
Safety Equipment.....	3
Usage Tips.....	3
Assembly Instructions.....	4
General Maintenance.....	5
Warranty Policy.....	5

GENERAL SAFETY

IMPORTANT MESSAGE: This manual contains important information for the safety of the user. It is in your best interest to read this information. Children must be accompanied by an adult who is able to fully explain and understand all of the following warnings, cautions, instructions and safety matters.

WARNING: Using a scooter can be a dangerous activity. Scooters are moving vehicles. The user can find himself in dangerous situations and / or lose control and / or fall. If such things happen, the user and / or others can be seriously injured or killed.

LIKE ANY OTHER VEHICLE, USING A SCOOTER MAY BE A DANGEROUS ACTIVITY AND MAY RESULT IN INJURY OR DEATH EVEN IF USED WITH APPROPRIATE SAFETY PRECAUTIONS. THIS PRODUCT SHOULD BE USED IN ACCORDANCE WITH ITS NORMAL USE AND ITS DESTINATION. IT IS THE RESPONSIBILITY OF ITS USER TO USE IT PROPERLY

SAFETY INSTRUCTIONS

Before use:

- 1-Safety equipment such as knee and elbow pads and hand / wrist protection must be worn at all times.
- 2- Never use this scooter without a helmet
- 3- Use this scooter with fully closed shoes with flat soles.
- 4- Adults must help children to assemble this scooter.
- 5- Children under 8 years old must not use this scooter. Supervision of an adult is strongly advised.
- 6-Check that the steering system is correctly adjusted and that all the connection elements are tight and not broken. Always inspect the scooter before riding. Proper inspection and maintenance of your scooter can reduce the risk of injury.
- 7-Maximum user weight: 100 kg
- 8- Users must always inform themselves of the limits of use in accordance with road safety regulations

During use:

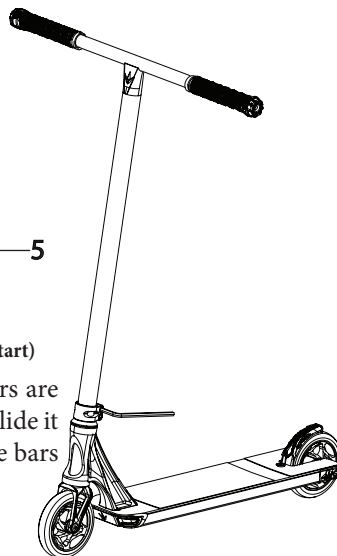
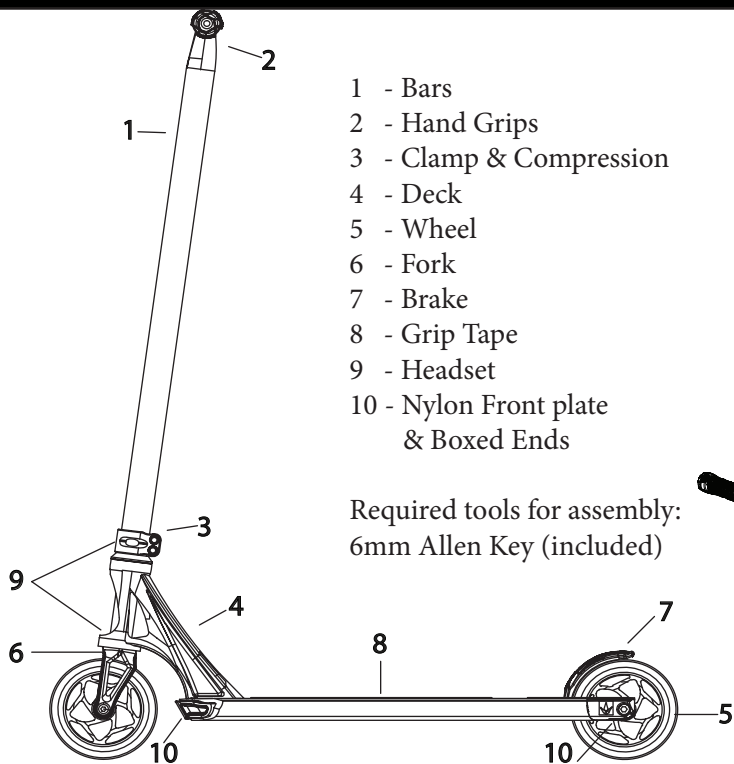
- 1- Users of scooters are considered pedestrians and must ride on the sidewalk. Do not use on traffic lanes or near motor vehicles
 - a. Respect the traffic lights reserved for pedestrians,
 - b. Take protected passages
 - c. Drive at moderate speed
- 2-Only use the scooter in a controlled, secure environment free from potential dangers:
 - a. Never use the scooter near steps, descents, hills, roads, alleys, access roads or swimming pools.
 - b. Do not drive at night or when visibility is reduced
- 3- Always drive on smooth surfaces, covered with flat and dry surfaces, free of debris such as stones, sticks or gravel. Scooter may encounter pitching motion / wheel entrapment or suddenly stop if it comes into contact with sharp bumps, rocks/sticks, sudden surface changes or drains
- 4- Keep both hands on the handlebars at all times.
- 5- Do not brake suddenly
- 6- Never ride with others on the scooter.
- 7- Do not ride a scooter in wet weather.
- 8- Avoid excessive speeds especially when going downhill

USAGE TIPS

- 1-The use of a scooter without respecting the safety instructions can lead to risks for the physical integrity of its user and premature wear of the parts
- 2- The brake temperature increases in case of continuous use. Do not touch it after using it.
- 4- Respect pedestrians as soon as you drive on the sidewalks.
- 5- Immediately replace worn or broken parts.
- 6- Children using this product must remain under the permanent supervision of an adult who is responsible for it and who must ensure that they wear appropriate protective equipment, such as an approved safety helmet
- 7- This scooter has been designed to be efficient but any “freestyle” use can cause premature wear.
- 8- Be sure to comply with local traffic laws.

IN CASE OF NON-COMPLIANCE WITH THE INSTRUCTIONS AND ADVICE ABOVE, YOU INCREASE THE RISK OF SERIOUS INJURY. PAY PARTICULAR ATTENTION.

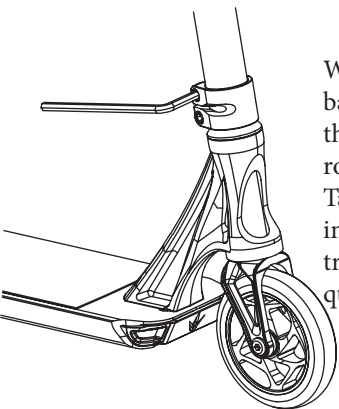
ASSEMBLY INSTRUCTIONS



SCOOTER ASSEMBLY

(Ensure all wrapping and packing materials are taken off your scooter before you start)

Slide the handlebars onto the fork tube, ensure the fork and bars are lined up before doing so. Avoid twisting/turning the bars as you slide it down. Doing so may loosen the compression. Ensure both of the bars and the clamp are touching the top of the headset.

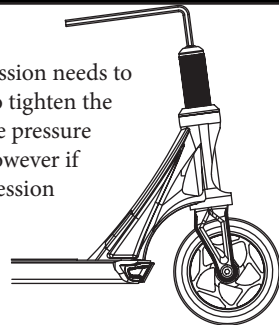


When you are satisfied that your front wheel and your handle bars are in line. Use your 6mm allen key, to tighten the bolts from the bottom up. Do this by turning the allen key in a clockwise rotation. Repeat this action until the 2 bolts are tightened securely. Take care not to overtighten your clamp bolts. Failure to tighten or install properly may result in loss of control and injury. If you have trouble understanding these instructions, seek assistance from a qualified mechanic.

GENERAL MAINTENANCE

Tightening your compression kit

If your bars start to shake or move side to side, this means your compression needs to be tightened. Do so by removing your handlebars and using allen key to tighten the compression bolt. Turning it in a clockwise direction, tighten until some pressure is felt from the bolt. You want to be able to still spin your forks freely, however if over tightened, you can restrict the movement and damage your compression or headset. This should be done by an adult or a professional mechanic.



Lubricating your bearings

You will need to take off your wheels to lubricate your wheel bearings. Insert 5mm allen keys (not included), in each axle head and turn them counter clock-wise. The wheels may need some encouragement to slide out. Using a damp cloth wipe off any dirt or grime on your wheels and bearings. Using bicycle bearing oil, place 3 to 4 drops directly on the bearing covers and allow the oil to sink in. If the wheels do not spin freely after this, you may need to replace the bearings.

Cleaning your scooter

Never use alcohol or any strong cleaning agents to clean your scooter. Doing so may damage paint or fragile materials. Warm water and a damp cloth should be enough. Avoid putting water directly on the grip tape and never submerge your scooter in water.

SAFETY REMINDERS

- When using this scooter for the first time, check that all the bolts are tightened. Inspect all moving parts, including wheels and headset and ensure they are operating smoothly.
- Check and secure all bolts before every ride. Loose parts may damage your scooter or increase the risk of a fall.
- Replace worn or broken parts immediately.
- Ensure you are wearing all required safety equipment before operating this scooter.

WARRANTY POLICY

The manufacturer warranties this product to be free of manufacturing defects for a period of 6 months from date of purchase*. This limited warranty does not cover normal wear and tear, or any damages, failure or loss caused by improper assembly, maintenance or aggressive use.

This limited warranty will be void if the product is ever:
-modified in any way, which includes installing any aftermarket parts.
-used in a manner other than for recreation

The manufacturer is not liable for incidental or consequential loss or damage due directly or indirectly to the user of this product.

For more information about the warranty contact Blunt/Envy Scooters.
bluntandenvy.com/warranty-info

* Dependant on the commercial laws of your region